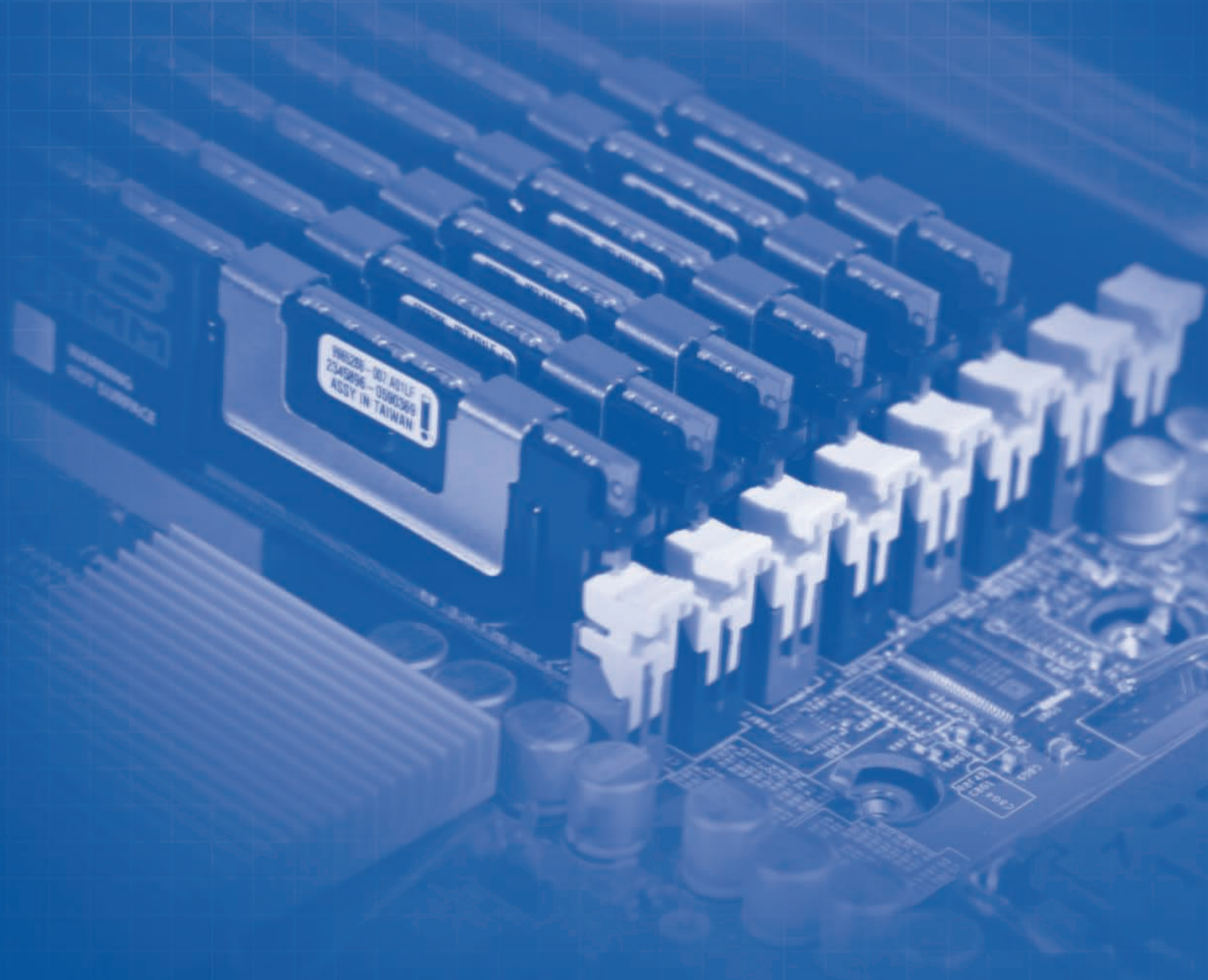




MEMORY



ARROW ELECTRONICS, INC.

Memory ▶

www.arrownac.com



Dataram Memory Modules

Reliability, compatibility, and a wide choice of memory options for OEM embedded applications, systems builders, and enterprise servers have made Dataram a trusted source for memory since 1967. Quality by design, manufacture, and stringent testing is built into every memory module Dataram offers, but it's service and support that keeps customers loyal and returning, generation after generation of memory, from FPM, EDO, DDR, DDR2, to DDR3, in registered, registered with parity, fully-buffered, or unbuffered types.



Features ▶

- CMTL, Supermicro, and Tyan testing and certification on specific motherboards and platforms
- Dataram memory has been tested and validated by Intel® PMO (platform memory operations)
- Dataram designs have been tested and approved by AMD for Opteron systems
- BOM control for exact product replication from manufacturing lot-to-lot, ensures compatibility through the entire product life cycle
- Dataram has extensive DRAM manufacturer relationships to leverage and deliver a variety of technologies and extend product life cycles for legacy systems

Benefits ▶

- 100% guaranteed compatibility
- Backed by a lifetime warranty
- Memory inventory available for immediate delivery
- Built-in reliability, ISO9001-certified facility
- Worldwide technical support

Applications ▶

- Embedded systems
- Industrial computers
- Server boards
- Desktop boards
- Custom memory
- Networking
- Military applications

Product Specifications ▶

Type	Part Number	Description	Density	Speed	DRAM/PKG	Data Width	CAS Latency
UNB	DTM63667E	1 rank x8 DIMM	256 MB	PC3200	Qimonda/TSOP	x64 non-ECC	3
	DTM63668D	2 rank x8 DIMM	512 MB	PC3200	Qimonda/TSOP	x64 non-ECC	3
	DTM63683F	2 rank x8 DIMM	1 GB	PC3200	Hynix/TSOP	x64 non-ECC	3
	DTM63715A	1 rank x8 DIMM	512 MB	PC3200	Qimonda/TSOP	x72 ECC	3
	DTM63672C	2 rank x8 DIMM	512 MB	PC3200	Qimonda/TSOP	x72 ECC	3
	DTM63682C	2 rank x8 DIMM	1 GB	PC3200	Hynix/TSOP	x72 ECC	3
	DTM63634G	1 rank x8 DIMM	256 MB	PC2700	Qimonda/TSOP	x64 non-ECC	2.5
	DTM63636J	2 rank x8 DIMM	512 MB	PC2700	Qimonda/TSOP	x64 non-ECC	2.5
	DTM63635D	1 rank x8 DIMM	256 MB	PC2700	Qimonda/TSOP	x72 ECC	2.5
	DTM63350B	1 rank x8 DIMM	512 MB	PC2-6400	Hynix	x64 non-ECC	5
	DTM63351B	2 rank x8 DIMM	1 GB	PC2-6400	Hynix	x64 non-ECC	5
	DTM63358A*	1 rank x8 DIMM	512 MB	PC2-6400	Hynix	x72 ECC	5
	DTM63359A*	2 rank x8 DIMM	1 GB	PC2-6400	Hynix	x72 ECC	5
	DTM63321D	1 rank x8 DIMM	512 MB	PC2-5300	Hynix	x72 ECC	5
	DTM63324A	1 rank x8 DIMM	1 GB	PC2-5300	Qimonda	x72 ECC	5
	DTM63324E	1 rank x8 DIMM	1 GB	PC2-5300	Hynix	x72 ECC	5
	DTM63344A	2 rank x8 DIMM	2 GB	PC2-5300	Elpida	x72 ECC	5
	DTM63322B	1 rank x8 DIMM	512 MB	PC2-5300	Hynix	x64 non-ECC	5
	DTM63323B	2 rank x8 DIMM	1 GB	PC2-5300	Hynix	x64 non-ECC	5
	DTM67205	1 rank x8 DIMM	512 MB	PC2-5300	Multiple	x64 non-ECC	5
DTM67206	2 rank x8 DIMM	1 GB	PC2-5300	Multiple	x64 non-ECC	5	
DTM63318C	1 rank x8 DIMM	512 MB	PC2-4200	Hynix	x64 non-ECC	4	
DTM63319C	1 rank x8 DIMM	512 MB	PC2-4200	Hynix	x72 ECC	4	
DTM63306E	2 rank x8 DIMM	1 GB	PC2-4200	Hynix	x72 ECC	4	
REG-P	DTM63337A	1 rank x8 DIMM	512 MB	PC2-5300	Elpida	x72 ECC	5
	DTM63331E	1 rank x4 DIMM	1 GB	PC2-5300	Hynix	x72 ECC	5
	DTM63339A	2 rank x8 DIMM	1 GB	PC2-5300	Elpida	x72 ECC	5
	DTM63332F	2 rank x4 DIMM	2 GB	PC2-5300	Hynix	x72 ECC	5
	DTM63345A	4 rank x8 DIMM	2 GB	PC2-5300	Elpida	x72 ECC	5
	DTM63346A	4 rank x4 DIMM	4 GB	PC2-5300	Nanya	x72 ECC	5
	DTM63356A	2 rank x4 DIMM	4 GB	PC2-5300	Micron	x72 ECC	5
	DTM63357A	4 rank x4 DIMM	8 GB	PC2-5300	Micron	x72 ECC	5
	DTM63338A	2 rank x8 DIMM	1 GB	PC2-4200	Elpida	x72 ECC	4



Dataram Memory Modules—Continued

Product Specifications ▶

Type	Part Number	Description	Density	Speed	DRAM/PKG	Data Width	CAS Latency
REG	DTM63735A	2 rank x8 DIMM	1 GB	PC3200	Nanya/TSOP	x72 ECC	3
	DTM63704F	1 rank x4 DIMM	1 GB	PC3200	Qimonda/BGA	x72 ECC	3
	DTM63691C	2 rank x4 DIMM	2 GB	PC3200	Qimonda/BGA	x72 ECC	3
	DTM63691J	2 rank x4 DIMM	2 GB	PC3200	Hynix/BGA	x72 ECC	3
	DTM63676D	1 rank x4 DIMM	512 MB	PC2700	Qimonda/BGA	x72 ECC	2.5
	DTM63677F	2 rank x4 DIMM	1 GB	PC2700	Qimonda/BGA	x72 ECC	2.5
	DTM63694C	1 rank x4 DIMM	1 GB	PC2700	Qimonda/BGA	x72 ECC	2.5
	DTM63680P	2 rank x4 DIMM	2 GB	PC2700	Qimonda/BGA	x72 ECC	2.5
	DTM63720A	4 rank x4 DIMM 2"	4 GB	PC2700	Samsung/BGA	x72 ECC	2.5
	DTM63716	2 rank x4 DIMM	4 GB	PC2700	Stacked TSOP	x72 ECC	2.5
	DTM63312E	1 rank x8 DIMM	512 MB	PC2-3200	Hynix	x72 ECC	3
	DTM63327C	2 rank x8 DIMM	1 GB	PC2-3200	Hynix	x72 ECC	3
	DTM63310N	1 rank x4 DIMM	1 GB	PC2-3200	Hynix	x72 ECC	3
	DTM63309J	2 rank x4 DIMM	2 GB	PC2-3200	Hynix	x72 ECC	3
	DTM63320A	1 rank x4 DIMM	2 GB	PC2-3200	Qimonda	x72 ECC	3
	DTM63316B	1 rank x4 DIMM VLP	1 GB	PC2-3200	Nanya	x72 ECC	3
	DTM63662C	1 rank x4 DIMM	512 MB	PC2100	Qimonda/TSOP	x72 ECC	2
	DTM63653R	2 rank x4 DIMM	1 GB	PC2100	Qimonda/BGA	x72 ECC	2
	DTM63698D	1 rank x4 DIMM	1 GB	PC2100	Qimonda/TSOP	x72 ECC	2
	DTM63689J	2 rank x4 DIMM	2 GB	PC2100	Qimonda/BGA	x72 ECC	2
FB	DTM65506C	1 rank x8 FBDIMM	512 MB	PC2-5300	Hynix/Intel®	x72 ECC	5
	DTM65507C	2 rank x8 FBDIMM	1 GB	PC2-5300	Hynix/Intel®	x72 ECC	5
	DTM65507D	2 rank x8 FBDIMM	1 GB	PC2-5300	Qimonda/Intel®	x72 ECC	5
	DTM65508D	2 rank x4 FBDIMM	2 GB	PC2-5300	Qimonda/Intel®	x72 ECC	5
	DTM65508E	2 rank x4 FBDIMM	2 GB	PC2-5300	Hynix/Intel®	x72 ECC	5
	DTM65510B	2 rank x4 FBDIMM	4 GB	PC2-5300	Micron/Intel®	x72 ECC	5
	DTM65505B	1 rank x8 FBDIMM	512 MB	PC2-4200	Elpida/Intel®	x72 ECC	4
	DTM65503B	2 rank x8 FBDIMM	1 GB	PC2-4200	Elpida/IDT	x72 ECC	4
	DTM65504B	2 rank x4 FBDIMM	2 GB	PC2-4200	Qimonda/Intel®	x72 ECC	4



Kingston ValuRAM Solutions—FB-DIMM Server, Desktop, and Flash Memory

From component qualification through quality assurance monitoring, Kingston's ValueRAM solutions inherit Kingston's widely recognized expertise in building high-quality memory modules. Multi-source chip qualification and high volume production result in just-in-time delivery to customers. One hundred percent of Kingston memory products are subjected to rigorous testing processes to insure their reliability, integrity, and compatibility.



Features ▶

- Memory built to JEDEC specifications
- Various form factors
- Full family of Flash memory products
- Intel®-certified memory modules
- Bulk packaging available

Benefits ▶

- One hundred percent testing of all products
- Patented 24-hour burn-in of all ECC-registered memory eliminates 90 percent of early-life failures in servers
- Just-in-time manufacturing model, most parts in 2-3 days
- Kingston is the largest third-party memory manufacturer in the world, with over 28 percent global market share
- Lifetime warranty in the case of product failure

Applications ▶

- Servers
- Networking hardware
- Portable/desktop computers
- Hard disk drive replacement (Flash products)
- Single-board computers

Product Specifications ▶

Type	Part Number	Description	Density	Speed	Databus Width
Intel® validated	KVR333D4R25/1GI	1 GB 333 MHz DDR ECC-registered CL2.5 DIMM dual-rank, x4 Intel® validated	1 GB	333 MHz	NA
	KVR333D4R25/2GI	2 GB 333 MHz DDR ECC-registered CL2.5 DIMM dual-rank, x4 Intel® validated	2 GB	333 MHz	NA
	KVR333S4R25/1GI	1 GB 333 MHz DDR ECC-registered CL2.5 DIMM single-rank, x4 Intel® validated	1 GB	333 MHz	NA
	KVR333S4R25/512I	512 MB 333 MHz DDR ECC-registered CL2.5 DIMM single-rank, x4 Intel® validated	512 MB	400 MHz	NA
	KVR400D2D4R3/2GI	2 GB 400 MHz DDR2 ECC-registered CL3 DIMM dual-rank, x4 Intel® validated	2 GB	400 MHz	NA
	KVR400D2D4R3/4GI	4 GB 400 MHz DDR2 ECC-registered CL3 DIMM dual-rank, x4 Intel® validated	4 GB	400 MHz	NA
	KVR400D2D8R3/2GI	2 GB 400 MHz DDR2 ECC-registered CL3 DIMM dual-rank, x8 Intel® validated	2 GB	400 MHz	NA
	KVR400D2S4R3/1GI	1 GB 400 MHz DDR2 ECC-registered CL3 DIMM single-rank, x4 Intel® validated	1 GB	400 MHz	NA
	KVR400D2S4R3/512I	512 MB DDR2-400 registered x4 single-rank Intel® validated	512 MB	400 MHz	NA
	KVR400D2S8R3/1GI	1 GB 400 MHz DDR2 ECC-registered CL3 DIMM single-rank, x8 Intel® validated	1 GB	400 MHz	NA
	KVR400D2S8R3/512I	512 MB 400 MHz DDR2 ECC-registered CL3 DIMM single-rank, x8 Intel® validated	512 MB	400 MHz	NA
	KVR400D8E3A/1GI	1 GB DDR400 ECC Unb x8 dual-rank Intel® validated	1 GB	400 MHz	NA
	KVR400D8E3A/512I	512 MB DDR400 ECC Unb x8 dual-rank Intel® validated	512 MB	400 MHz	NA
	KVR533D2D4F4/2GI	2 GB 533 MHz DDR2 ECC fully-buffered CL4 DIMM dual-rank, x4 Intel® validated	2 GB	533 MHz	NA
	KVR533D2D8F4/1GI	1 GB 533 MHz DDR2 ECC fully-buffered CL4 DIMM dual-rank, x8 Intel® validated	1 GB	533 MHz	NA
	KVR533D2E4/1GI	1 GB 533 MHz DDR2 ECC CL4 DIMM Intel® validated	1 GB	533 MHz	NA
	KVR533D2E4/2GI	2 GB 533 MHz DDR2 ECC CL4 DIMM Intel® validated	1 GB	533 MHz	NA
	KVR533D2E4/512I	512 MB 533 MHz DDR2 ECC CL4 DIMM Intel® validated	512 MB	533 MHz	NA
	KVR533D2S8F4/512I	512 MB 533 MHz DDR2 ECC fully-buffered CL4 DIMM single-rank, x8 Intel® validated	512 MB	533 MHz	NA
	KVR667D2D4F5/2GI	2 GB 667 MHz DDR2 ECC fully-buffered CL5 DIMM dual-rank, x4 Intel® validated	512 MB	667 MHz	NA
	KVR667D2D4F5/4GI	4 GB 667 MHz DDR2 ECC fully-buffered CL5 DIMM dual-rank, x4 Intel® validated	4 GB	667 MHz	NA
	KVR667D2D8F5/1GI	1 GB 667 MHz DDR2 ECC fully-buffered CL5 DIMM dual-rank, x8 Intel® validated	1 GB	667 MHz	NA
	KVR667D2E5/1GI	1 GB 667 MHz DDR2 ECC CL5 DIMM Intel® validated	1 GB	667 MHz	NA
	KVR667D2E5/512I	512 MB 667 MHz DDR2 ECC CL5 DIMM Intel® validated	512 MB	667 MHz	NA
KVR667D2S8F5/512I	512 MB 667 MHz DDR2 ECC fully-buffered CL5 DIMM Intel® validated	512 MB	667 MHz	NA	
ValueRAM memory	KVR133X64SC3/256	256 MB 133 MHz DDR Non-ECC CL3 SO-DIMM	256 MB	133 MHz	NA
	KVR133X72RC3/512	512 MB 133 MHz DDR ECC-registered CL3 DIMM	512 MB	133 MHz	NA
	KVR133X64SC3L/512	512 MB 133 MHz DDR Non-ECC CL3 SO-DIMM	512 MB	133 MHz	NA
	KVR333X64C25/512	512 MB 333 MHz DDR Non-ECC CL2.5 DIMM	512 MB	333 MHz	NA
	KVR333X64SC25/512	512 MB 333 MHz DDR Non-ECC CL2.5 SO-DIMM	512 MB	333 MHz	NA
	KVR333X72C25/512	512 MB 333 MHz DDR ECC-registered CL 2.5 DIMM	512 MB	333 MHz	NA
	KVR400X64SC3A/256	256 MB 400 MHz DDR Non-ECC CL3 SO-DIMM	256 MB	400 MHz	NA
	KVR400X64C3A/512	512 MB 400 MHz DDR Non-ECC CL3 DIMM	512 MB	400 MHz	NA
	KVR400D2D8R3K2/2G	2 GB 400 MHz DDR2 ECC-registered CL3 DIMM (kit of 2) dual-rank, x8	2 GB	400 MHz	NA
	KVR533D2N4/512	512 MB 533 MHz DDR2 Non-ECC CL4 DIMM	512 MB	533 MHz	NA
	KVR533D2S4/512	512 MB 533 MHz DDR2 Non-ECC CL4 SO-DIMM	512 MB	533 MHz	NA
	KVR533D2E4/512	512 MB 533 MHz DDR2 ECC CL4 DIMM	512 MB	533 MHz	NA
	KVR533D2D4R4/2G	2 GB 533 MHz DDR2 ECC-registered CL4 DIMM, dual-rank, x4	2 GB	533 MHz	NA

Kingston ValuRAM Solutions—FB-DIMM Server, Desktop, and Flash Memory—Continued

Product Specifications ▶

Type	Part Number	Description	Density	Speed	Databus Width
FB-DIMMS	KVR533D2D4F4/2G	2 GB 533 MHz DDR2 ECC fully-buffered CL4 DIMM dual-rank, x4	2 GB	533 MHz	NA
	KVR533D2D4F4/2GI	2 GB 533 MHz DDR2 ECC fully-buffered CL4 DIMM dual-rank, x4 Intel®	2 GB	533 MHz	NA
	KVR533D2D4F4/4G	4 GB 533 MHz DDR2 ECC fully-buffered CL4 DIMM dual-rank, x4	4 GB	533 MHz	NA
	KVR533D2D4F4K2/4G	4 GB 533 MHz DDR2 ECC fully-buffered CL4 DIMM (kit of 2) dual-rank, x4	4 GB	533 MHz	NA
	KVR533D2D4F4K2/8G	8 GB 533 MHz DDR2 ECC fully-buffered CL4 DIMM (kit of 2) dual-rank, x4	8 GB	533 MHz	NA
	KVR533D2D8F4/1G	1 GB 533 MHz DDR2 ECC fully-buffered CL4 DIMM dual-rank, x8	1 GB	533 MHz	NA
	KVR533D2D8F4/1GI	1 GB 533 MHz DDR2 ECC fully-buffered CL4 DIMM dual-rank, x8 Intel®	1 GB	533 MHz	NA
	KVR533D2D8F4K2/2G	2 GB 533 MHz DDR2 ECC fully-buffered CL4 DIMM (kit of 2) dual-rank, x8	2 GB	533 MHz	NA
	KVR533D2S8F4/256	256 MB 533 MHz DDR2 ECC fully-buffered CL4 DIMM single-rank, x8	256 MB	533 MHz	NA
	KVR533D2S8F4/512	512 MB 533 MHz DDR2 ECC fully-buffered CL4 DIMM single-rank, x8	512 MB	533 MHz	NA
	KVR533D2S8F4/512I	512 MB 533 MHz DDR2 ECC fully-buffered CL4 DIMM single-rank, x8 Intel®	512 MB	533 MHz	NA
	KVR533D2S8F4K2/1G	1 GB 533 MHz DDR2 ECC fully-buffered CL4 DIMM (kit of 2) single-rank, x8	1 GB	533 MHz	NA
	KVR667D2D4F5/2G	2 GB 667 MHz DDR2 ECC fully-buffered CL5 DIMM dual-rank, x4	2 GB	667 MHz	NA
	KVR667D2D4F5/2GI	2 GB 667 MHz DDR2 ECC fully-buffered CL5 DIMM dual-rank, x4 Intel®	2 GB	667 MHz	NA
	KVR667D2D4F5/4G	4 GB 667 MHz DDR2 ECC fully-buffered CL5 DIMM dual-rank, x4	4 GB	667 MHz	NA
	KVR667D2D4F5/4GI	4 GB 667 MHz DDR2 ECC fully-buffered CL5 DIMM dual-rank, x4 Intel®	4 GB	667 MHz	NA
	KVR667D2D4F5K2/4G	4 GB 667 MHz DDR2 ECC fully-buffered CL5 DIMM (kit of 2) dual-rank, x4	4 GB	667 MHz	NA
	KVR667D2D4F5K2/8G	8 GB 667 MHz DDR2 ECC fully-buffered CL5 DIMM (kit of 2) dual-rank, x4	8 GB	667 MHz	NA
	KVR667D2D8F5/1G	1 GB 667 MHz DDR2 ECC fully-buffered CL5 DIMM dual-rank, x8	1 GB	667 MHz	NA
	KVR667D2D8F5/1GI	1 GB 667 MHz DDR2 ECC fully-buffered CL5 DIMM dual-rank, x8 Intel®	512 MB	667 MHz	NA
	KVR667D2D8F5/2G	2 GB 667 MHz DDR2 ECC fully-buffered CL5 DIMM dual-rank, x8	2 GB	667 MHz	NA
	KVR667D2D8F5K2/2G	2 GB 667 MHz DDR2 ECC fully-buffered CL5 DIMM (kit of 2) dual-rank, x8	2 GB	667 MHz	NA
	KVR667D2D8F5K2/4G	4 GB 667 MHz DDR2 ECC fully-buffered CL5 DIMM (kit of 2) dual-rank, x8	4 GB	667 MHz	NA
	KVR667D2S4F5/2G	2 GB 667 MHz DDR2 ECC fully-buffered CL5 DIMM single-rank, x4	2 GB	667 MHz	NA
	KVR667D2S4F5K2/4G	4 GB 667 MHz DDR2 ECC fully-buffered CL5 DIMM (kit of 2) single-rank, x4	4 GB	667 MHz	NA
	KVR667D2S8F5/512	512 MB 667 MHz DDR2 ECC fully-buffered CL5 DIMM single-rank, x8	512 MB	667 MHz	NA
	KVR667D2S8F5/512I	512 MB 667 MHz DDR2 ECC fully-buffered CL5 DIMM Intel® validated	512 MB	667 MHz	NA
	KVR667D2S8F5K2/1G	1 GB 667 MHz DDR2 ECC fully-buffered CL5 DIMM (kit of 2) single-rank, x8	1 GB	667 MHz	NA

Related Information ▶

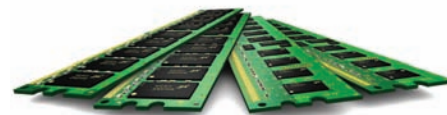


This part list is by no means exhaustive and represents only a sample of what Kingston has to offer.



Micron Server Memory Products

Micron's broad server memory products offer the flexibility to design in the right memory solution without compromises. For blade, rack, and other small-form-factor applications, we have a complete line of MiniDIMMs, VLP MiniDIMMs, VLP RDIMMs, SORDIMMs, and SODIMMs. For high-density, high-performance memory required in bandwidth-intensive servers, Micron has DDR2-533/DDR2-667 RDIMMs and FBDIMMs. For servers that must achieve an economy/density balance, Micron offers ECC UDIMMs.



Features ▶

- Online simulation models and technical notes
- In-house component fabrication, module assembly, and testing
- High-density, reduced chip count modules
- Intel® validation
- ATCA compatibility (VLP SOCDIMM and VLP SORDIMM)

Benefits ▶

- Time-saving design, simulation, and development toolsets
- Proven reliability
- Energy-efficient solutions
- Improves time to market
- Improved airflow and smaller footprints

Applications ▶

- Enterprise servers
- Blade servers
- Computing applications
- Network servers

Product Specifications ▶

Type	Density	Part Number	Speed	Package	Databus Width	# Ranks	SS/DS	Prod.
184-pin DDR SDRAM registered DIMM	256 MB	MT9VDDF3272G-335XX	333 2.5-3-3	FBGA	x72	Single	SS	Now
	512 MB	MT9VDDF6472G/Y-335XX	333 2.5-3-3	FBGA	x72	Single	SS	Now
	1 GB	MT18VDDF12872G/Y-335XX	333 2.5-3-3	FBGA	x72	Single	DS	Now
	2 GB	MT36VDDF25672G/Y-335XX	333 2.5-3-3	FBGA	x72	Single	DS	Now
240-pin DDR2 SDRAM registered DIMM	512 MB	MT9HTF6472PY-667XX	667 5-5-5	FBGA	x72	Single	SS	Now
	1 GB	MT18HTF12872PY-667XX	667 5-5-5	FBGA	x72	Single	DS	Now
	2 GB	MT36HTF25672PY-667XX	667 5-5-5	FBGA	x72	Dual	DS	Now
168-pin SDR SDRAM unbuffered DIMM	256 MB	MT8LSDT3264AY-133XX	133 CL3	TSOP	x64	Single	SS	Now
	512 MB	MT16LSDT6464AG-133XX	133 CL3	TSOP	x64	Dual	DS	Now
	1 GB	MT16LSDT12864AG-133XX	133 CL3	TSOP	x64	Dual	DS	Now
184-pin DDR SDRAM unbuffered DIMM	256 MB	MT4VDDT3264AG-335XX	333 2.5-3-3	TSOP	x64	Single	SS	Now
	512 MB	MT8VDDT6464AG-335XX	333 2.5-3-3	TSOP	x64	Single	SS	Now
	1 GB	MT16VDDT12864AG-335XX	333 2.5-3-3	TSOP	x64	Dual	DS	Now
240-pin DDR2 SDRAM unbuffered DIMM	256 MB	MT4HTF3264AY-667XX	667 5-5-5	FBGA	x64	Single	SS	Now
	512 MB	MT8HTF6464AY-667XX	667 5-5-5	FBGA	x64	Single	SS	Now
	1 GB	MT16HTF12864AY-667XX	667 5-5-5	FBGA	x64	Dual	DS	Now
	2 GB	MT16HTF25664AY-667XX	667 5-5-5	FBGA	x64	Dual	DS	Now
184-pin DDR SDRAM VLP registered DIMM	512 MB	MT9VDVF6472G-335XX	333 2.5-3-3	FBGA	x72	Single	SS	Now
	1 GB	MT18VDVF12872G-335XX	333 2.5-3-3	FBGA	x72	Single	DS	Now
240-pin DDR2 SDRAM VLP registered DIMM	512 MB	MT9HVF6472PY-667XX	667 5-5-5	FBGA	x72	Single	SS	Now
	1 GB	MT18HVF12872PY-667XX	667 5-5-5	FBGA	x72	Single	DS	Now
	2 GB	MT18HVF25672PY-667XX	667 5-5-5	FBGA	x72	Single	DS	Now
240-pin DDR2 SDRAM FBDIMM	512 MB	MT9HTF6472FY-667XXYY	667 5-5-5	FBGA	x72	Single	SS	Now
	1 GB	MT18HTF12872FY-667XXYY	667 5-5-5	FBGA	x72	Dual	DS	Now
	2 GB	MT18HTF25672PY-667XX	667 5-5-5	FBGA	x72	Dual	DS	Now
	4 GB	MT36HTF51272FY-667XXYY	667 5-5-5	FBGA	x72	Dual	DS	Now
DDR2 VLP RDIMM	4 GB	MT36HVS51272PY-667XX	667 5-5-5	FBGA 2COB	x72	Dual	SS	Now

Note: "Y" in part number denotes lead-free module. "XX"=PCB revision and die revision. For FBDIMMs, YY=AMB vendor, and AMB revision

Products are warranted only to meet Micron's production data sheet specifications. Products and specifications are subject to change without notice. Dates are estimates only. Drawings not to scale. Micron and the Micron logo are trademarks of Micron Technology, Inc. All other trademarks are the property of their respective owners. © 2007 Micron Technology Inc. All rights reserved. Rev. 03/07



Preferred Module Solutions

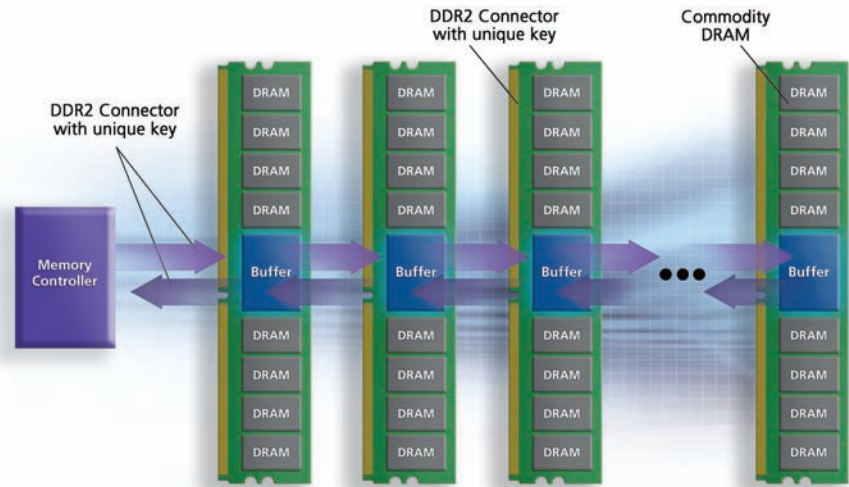
EMBEDDED BOARDS AND SYSTEMS | FLAT PANEL | MEMORY | SOFTWARE | STORAGE

Product Specifications ▶

Type	Density	Part Number	Speed	Package	Databus Width	# Ranks	SS/DS	Prod.
244-pin DDR2 MiniRDIMM	512 MB	MT9HTF6472PKY-667XX	667 5-5-5	FBGA	X72	Single	DS	Now
	1 GB	MT9HTF12872PKY-667XX	667 5-5-5	FBGA	X72	Single	DS	Now
	2 GB	MT18HTS25672PKY-667XX	667 5-5-5	FBGA 2 COB	X72	Dual	DS	Coming soon
244-pin DDR2 VLP MiniRDIMM	512 MB	MT9HVF6472PKY-667XX	667 5-5-5	FBGA	X72	Single	DS	Now
	1 GB	MT9HVF12872PKY-667XX	667 5-5-5	FBGA	X72	Single	DS	Now
	2 GB	MT18HVS25672PKY-667XX	667 5-5-5	FBGA 2 COB	X72	Dual	DS	Coming soon
200-pin DDR2 SORDIMM	512 MB	MT9HTF6472RHY-667XX	667 5-5-5	FBGA	X72	Single	DS	Now
	1 GB	MT9HTF12872RHY-667XX	667 5-5-5	FBGA	X72	Single	DS	Now
	2 GB	MT18HTS25672RHY-667XX	667 5-5-5	FBGA 2 COB	X72	Dual	DS	Coming soon
200-pin DDR2 VLP SORDIMM	512 MB	MT9HVF6472RHY-667XX	667 5-5-5	FBGA	X72	Single	DS	Coming soon
	1 GB	MT9HVF12872RHY-667XX	667 5-5-5	FBGA	X72	Single	DS	Coming soon
	2 GB	MT18HVS25672RHY-667XX	667 5-5-5	FBGA 2 COB	X72	Dual	DS	Coming soon
200-pin DDR2 SOCDIMM	512 MB	MT9HTF6472CHY-667XX	667 5-5-5	FBGA	X72	Single	DS	Now
	1 GB	MT9HTF12872CHY-667XX	667 5-5-5	FBGA	X72	Single	DS	Now
	2 GB	MT18HTS25672CHY-667XX	667 5-5-5	FBGA 2 COB	X72	Dual	DS	Coming soon

Type	Density	Description ¹	CS/ Rank ²	DRAM Components ³	Base Module Part Number	Speed Mark ⁴	CAS Latency	PCB Height	Data Rate ⁵	Sample	Prod.
240-pin DDR2 SDRAM FBDIMM	512 MB	DS/SR 64M x 72 1.8V Gold	1	(9) 64M x 8 FBGA	MT9HTF6472FY	-667XXYY	5	1.20"	5,300	Now	Now
	1 GB	DS/SR 128M x 72 1.8V Gold		(9) 128M x 8 FBGA	MT9HTF12872FY	-667XXYY	5	1.20"	5,300	Now	Now
	2 GB	DS/SR 256M x 72 1.8V Gold		(18) 64M x 8 FBGA	MT18HTF12872FDY	-667XXYY	5	1.20"	5,300	Now	Now
				(18) 128M x 8 FBGA	MT18HTF25672FDY	-667XXYY	5	1.20"	5,300	Now	Now
	4 GB	DS/SR 512M x 72 1.8V Gold		(36) 128M x 8 FBGA	MT36HTF25672FY	-667XXYY	5	1.20"	5,300	Now	Now
			(36) 256M x 4 FBGA	MT36HTF51272FY	-667XXYY	5	1.20"	5,300	Now	Now	

Related Information ▶



¹DS=double-sided; DR = dual rank; SR=single rank
²CS/rank=number of chip selects per bank
³All DDR2 SDRAM modules are available in lead-free packages only
⁴XX=Die/PCB rev; YY=AMB-vendor/AMB-vendor revision
⁵Data rate=MB/s on 64-bit data bus

Products are warranted only to meet Micron's production data sheet specifications. Products and specifications are subject to change without notice.
 Dates are estimates only. Drawings not to scale. Micron and the Micron logo are trademarks of Micron Technology, Inc. All other trademarks are the property of their respective owners.
 © 2007 Micron Technology Inc. All rights reserved. Rev. 03/07

